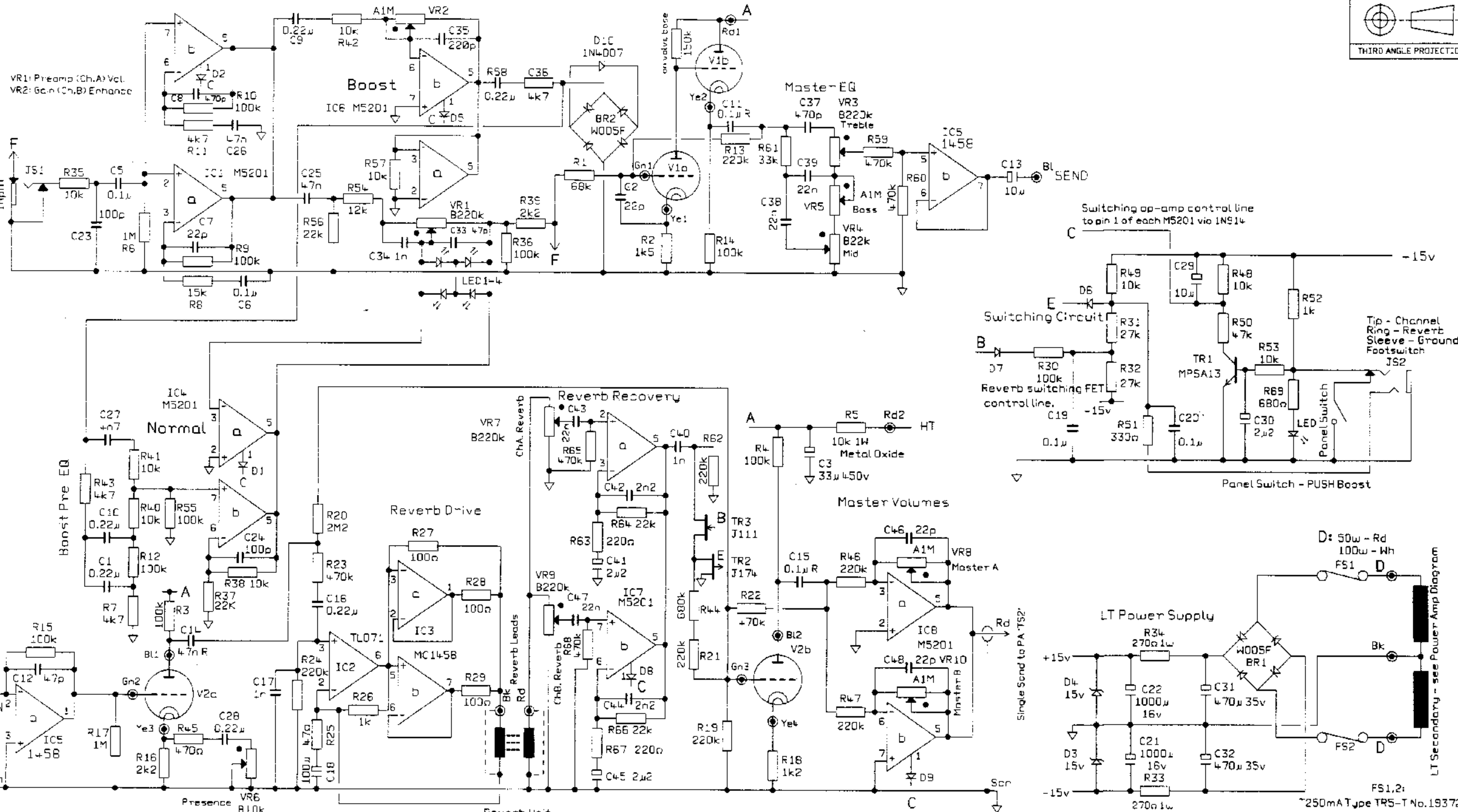
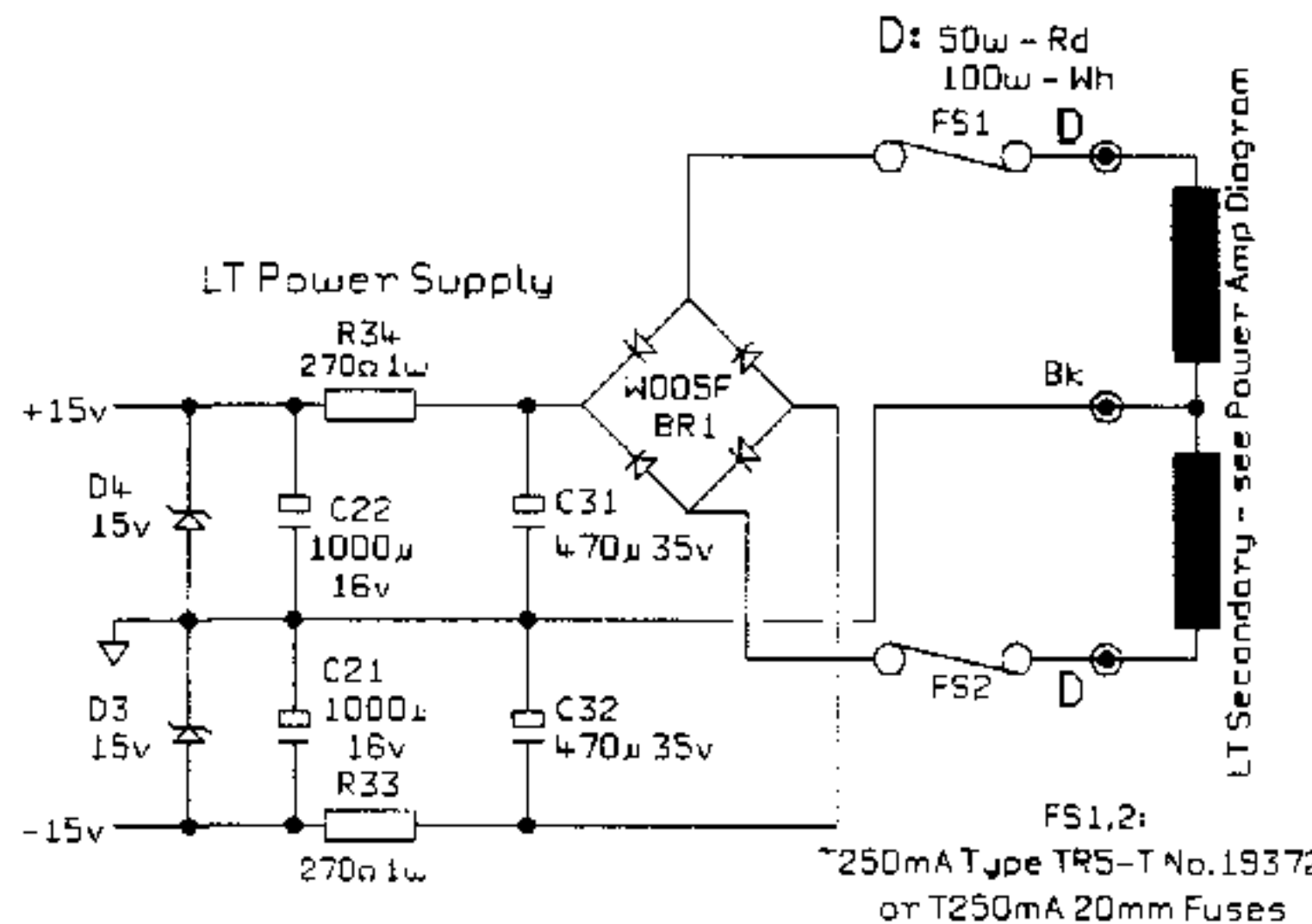
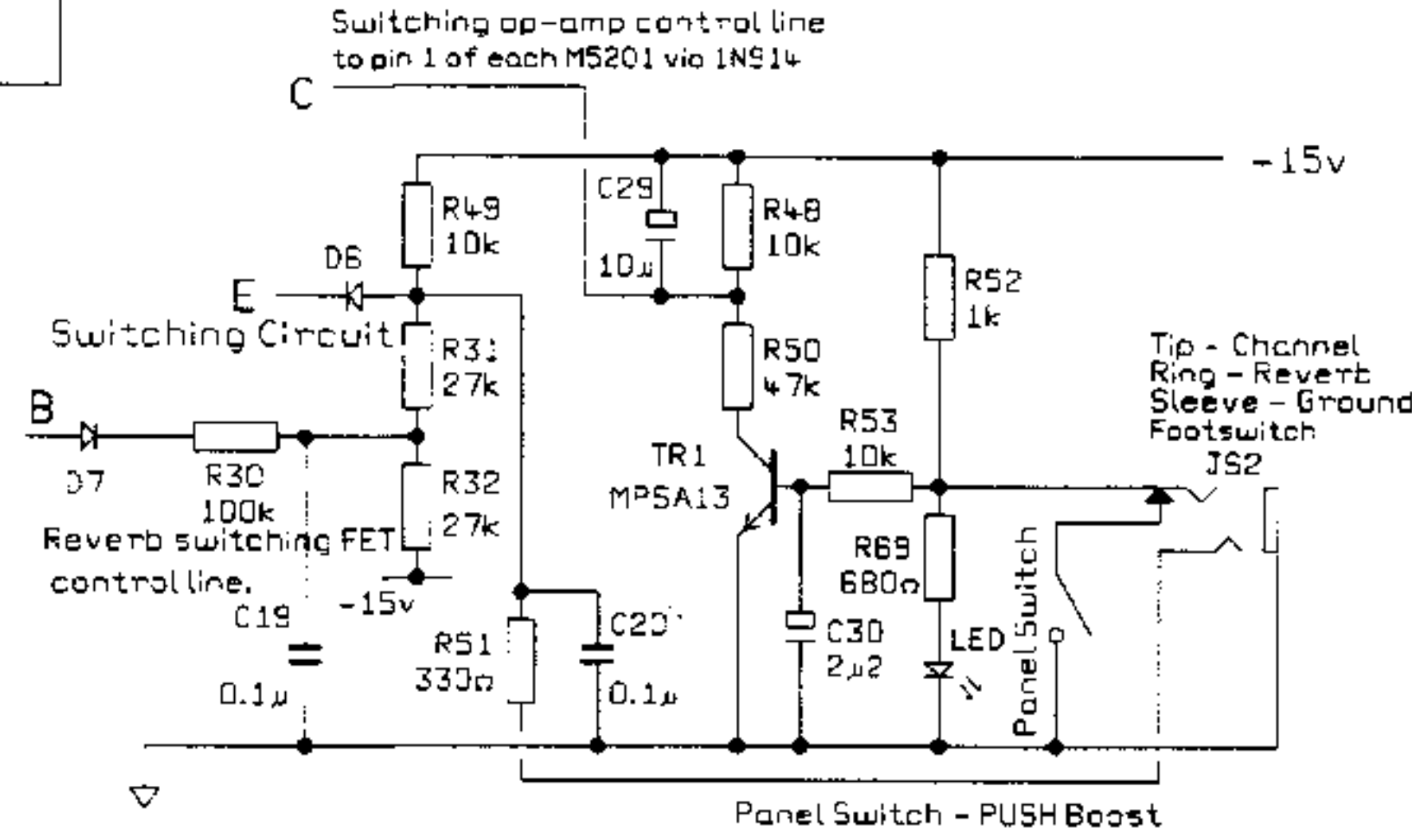


DWG.No: JMP52-02



NOTES:
 1. All resistors 1/4w unless stated.
 2. All non-elect. caps are 50v axial unless marked:
 D: Ceramic disk } High voltage
 R: MKT Radial }

- 3. All zeners 500mW.
- 4. All unmarked diodes are 1N914.
- 5. IC supplies:
 All ICs but TL071, pin 8: +15v
 TL071, pin 7: +15v
 All ICs, pin 4: -15v
- 6. M5201 switching IC pins:
 Ctrn 1, B -ve, +, -, -ve, Dut
- 7. V1,2,3: ECC83.



REV	DESCRIPTION	DATE	BY	CHKD	DATE	APPROVED	MATERIAL	DIMENSIONS IN	TITLE
10	0596	14-4-94							
9	0455	24/02/94	A						
8	0306	28/7/93	B						
7	0349	A.G.	C						
6	18-9-90	SKB	D						
5	2-7-90	CPV	E						
4	11-4-90	CPV	F						
ISS	ECO NUMBER	DATE	G						

UNSPECIFIED HOLE DATA	
A	H
B	J
C	K
D	L
E	M
F	N
G	P

MATERIAL	
MATERIAL THICKNESS	
INTERNAL BEND RADIUS	
EXTERNAL B/A	
BEND D/E	
DRAWN	CJR
DATE	28/7/93
CHECKED	
DATE	
APPROVED	
DATE	

DIMENSIONS IN	
TOLERANCE (UNLESS OTHERWISE STATED):	
DIMENSIONAL	
CENTRES	
ANGULAR	
MODEL	4100/4500

TITLE	
PRE-AMP CCT	
DWG.No	JMP52-02
ISSUE	10

Marshall

COPYRIGHT EXISTS ON THIS DOCUMENT. IT MUST NOT BE USED FOR ANY PURPOSE THAN THAT FOR WHICH IT IS SUPPLIED AND MUST NOT BE COPIED, IN WHOLE OR IN PART, WITHOUT WRITTEN PERMISSION FROM
 MARSHALL AMPLIFICATION PLC
 DENNIS ROAD, BLETCHLEY, MILTON KEYNES, MK1 1DG
 TEL: (0298) 375411 FAX: (0298) 375110